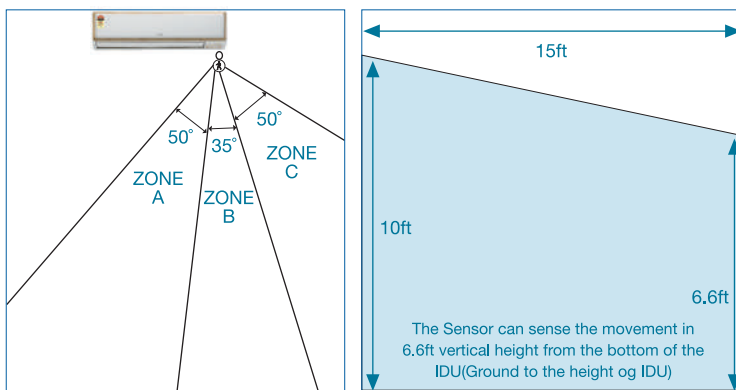




Tonnage Class	0.9	1.2	1.5	2.0
Star Rating				

Presenting for the first time ever an air-conditioner that follows you on your every movement.

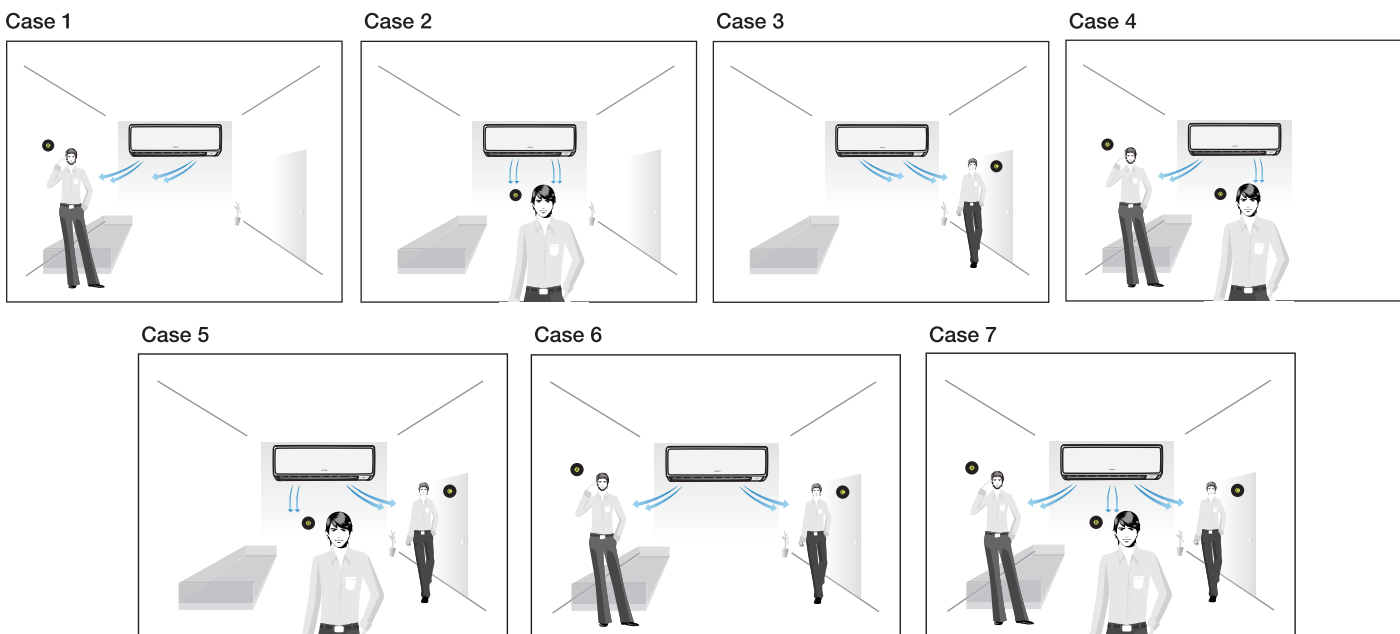
Follow Me is a unique feature developed by Hitachi, which is activated at the press of a remote button. High sensitive sensors of the ACE Follow Me air-conditioner detects even the smallest of the human body movements (1 ft. magnitude) in the three sensing zones (as depicted in the illustrations below) and directs the airflow towards the direction where the movement takes place.



Case	Human Movement			Vertical Louver Movement	
	Zone A	Zone B	Zone C	Vertical Louver Left	Vertical Louver Right
Case 1	✓	-	-		
Case 2	-	✓	-		
Case 3	-	-	✓		
Case 4	✓	✓	-		
Case 5	-	✓	✓		
Case 6	✓	-	✓		
Case 7	✓	✓	✓	Parallel Swing	

15ft — Horizontal distance covered from Indoor Unit
 6.6ft — Height from ground level to Indoor Unit
 10ft — Height from the ground level at the horizontal coverage distance
 Total covered angle by sensor is 135°
 The sensor catches the human movement speed @ 0.8 to 1.2 m/s

— FOLLOW ME
 — ASYMMETRIC LOUVER POSITION(case 6)
 — PARALLEL SWING
 — HORIZONTAL SWING





Auto Climate Technology

Human comfort is a combination of the following factors as depicted on the right. For instance, in Delhi, the month of June is the peak of summers and temperatures touch close to 44°C with a humidity level of 60%. Whereas in Mumbai, at the same time of the day and month, the temperature is around 35°C with a humidity level of 85%.

	Temperature	Air Circulation	Humidity
Time of the Day	✓	✓	✓
Individual Metabolic Rate	✓	✓	✓

In an air-conditioner, you can control these factors by changing the temperature and regulating the fan speed. But this presents you with more than 50 different combinations and choosing the correct option for optimal efficiency and comfort becomes extremely cumbersome.

That's why we developed Auto Climate Technology (ACT). ACT is a super-advanced intelligent feature that has temperature and humidity data of over 100 cities fed into it. The air-conditioner recognises which city you are in, the time of day and your individual metabolic needs (to be chosen by you). Based on these factors, it continuously changes the settings of the air-conditioner to provide you the most comfortable environment, while functioning most efficiently, at the touch of a button.

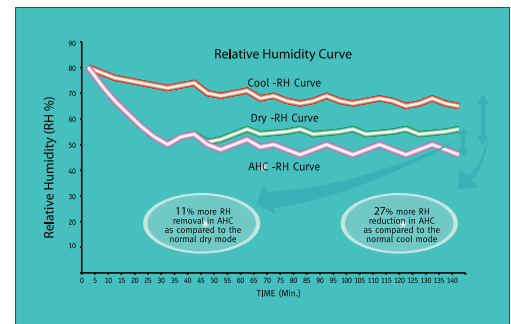


Auto Humid Control

27% REDUCTION IN RELATIVE HUMIDITY LEVELS

Auto Humid Control is an intelligent feature which helps you achieve comfortable room ambient even during high humid conditions. In such conditions, if an air-conditioner is operated on a cool mode, it can achieve the desired temperature but will not be able to get the humidity levels lowered to your comfort level. But 'ACE FollowMe' with its unique next generation Auto Humid Control not only maintains the temperature settings (near to the user set temperature) but also ensures that the Relative Humidity is further reduced by a **whopping 27%** as compared to the normal cool mode, thus making it ideal for high humid regions or conditions.

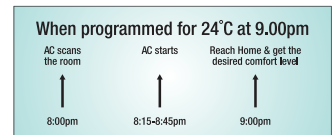
Auto Humid Control is an intelligent feature which helps you achieve comfortable room ambient even during high humid conditions. In such conditions, if an air-conditioner is operated on a cool mode, it can achieve the desired temperature but will not be able to get the humidity levels lowered to your comfort level. But 'ACE FollowMe' with its unique next generation Auto Humid Control not only maintains the temperature settings (near to the user set temperature) but also ensures that the Relative Humidity is further reduced by a **whopping 27%** as compared to the normal cool mode, thus making it ideal for high humid regions or conditions.



On/Off Timer With Advanced Start-Up

Simple On/Off Timer : You set the timer to switch on the AC at the specified time. The AC automatically starts at the preset time, and begins to cool the room. However, when you reach the room, it might be a bit too warm or a bit too cool. Basically, you don't get the desired comfort level. Also, you end up wasting a lot of electricity.

On/Off Timer With Advanced Start-up: You set the temperature that you want at the given time. The AC is smart enough to scan the room an hour before the set time. It calculates the time it'll need to reach the desired temperature, and switches on accordingly. So you get the perfect comfort level as soon as you come back, without wasting any electricity.



Silent Cooling

Here the AC works most silently. This function is available in Auto, Cool and Fan mode.



Digilock

Is your AC being misused in your absence? If yes, just switch to the Digilock. It locks your AC and prevents the misuse in your absence, besides ensuring that your comfort settings aren't affected by tampering or accidental pressing of keys.



Selectable Fan Speeds

The air-conditioner comes with selectable fan speeds to give you perfect comfort to suit your needs.



Koukin Filter With 'Filter Clean' Indicator

Do you know when to clean the filter? This unique anti-bacterial filter prevents bacterial growth in the air-conditioner thus increasing the efficiency of the air-conditioner. Koukin filter with filter clean indicator not only ensures you a clean and healthy environment, it also indicates when to clean the filter.



Kaimin

Ever woken up feeling chilly in the middle of the night? 'Kaimin' adjusts the temperature automatically through the night to suit your body needs. It is an intelligent feature that ensures you get sound sleep every night and wake up feeling fresh every morning. By raising 1° C per hour for up to 4 hours, its operation ensures you save up to 45%.



Quality Tests

41 reliability tests and the unbelievably stringent Japanese Tochigi standards ensure you get a world-class product.



Comfort Modes

Four handy modes to choose from, to give you perfect comfort - Fan, Dry, Cool & Powerful.



My Mode

Conventional air-conditioners have preset modes, whereas Hitachi air-conditioners allow you the flexibility of three programmable comfort modes to ensure that you get perfectly customised cooling.



Remocon

It comes with an LCD display for extra clarity and a flap to keep the keys dust-free. Also, when not in use, the display shuts off automatically ensuring a longer battery life.



DC Fan Motor

The DC Fan Motor technology is far more efficient than the conventional air-conditioner technology and reduces noise and power consumption significantly.



Auto Power Save Mode

The device will automatically select the comfort temperature and will maintain the temperature about 25° C with suitable fan speed.



Auto Fan Speed

The fan speed is automatically adjusted for comfort, depending on the running state of your air-conditioner, i.e., if the compressor is cut off, the fan speed automatically comes down to low level and vice-versa. Similarly, once the set temperature is achieved, the fan speed comes down to a low level to optimise your comfort level.



Supercool Function

The AC will be running with a 'maximise cooling' option for 20 minutes to provide maximum comfort in minimum possible time.



Inbuilt FollowMe Sensor

TECHNICAL SPECIFICATION

Description	Unit	ACE FOLLOW ME			
		0.9	1.2	1.5	2.0
Tonnage Class		0.9	1.2	1.5	2.0
Star Rating	No of BEE Stars	5	5	5	3
Unit	Model Number	RAU010EQD	RAU014EQD	RAU018EQD	RAU023EQD
IDU	Model Number	RAS010EQD	RAS014EQD	RAS018EQD	RAS023EQD
ODU	Model Number	RAC010EQD	RAC014EQD	RAC018EQD	RAC023EQD
Compressor	Type	ROTARY	ROTARY	ROTARY	ROTARY
Rated Cooling Capacity	BTU/Hr	10690	14000	18300	23500
Rated Cooling Capacity	Watts	3135	4102	5363	6891
Rated Power Supply	Volts/Hz/Phase	230/50/1	230/50/1	230/50/1	230/50/1
Total Power Input	Watts	940	1235	1650	2390
EER	Rated Cooling Capacity (BTU/Hr) / Power Input (Watts)	11.37	11.34	11.09	9.83
COP	Rated Cooling Capacity (Watts) / Power Input (Watts)	3.34	3.32	3.25	2.88
Current Drawn	Amps	4.2	5.5	7.4	10.7
Fan Speed	Steps	3	3	3	3
Air Flow (IDU) (Super High)	CFM	458	458	590	632
Sound Level* (IDU)	dB	38	38	34	37
Dimension (IDU) (W X H X D)	mm	830 X 290 X 220	830 X 290 X 220	1050 X 290 X 220	1050 X 290 X 220
Dimension (ODU) (W X H X D)	mm	792 X 600 X 299	792 X 600 X 299	792 X 600 X 299	792 X 600 X 299
Net Weight (IDU)	Kg	10	10	13.5	13.5
Net Weight (ODU)	Kg	34	38	43.5	46
Remocon	Type	Wireless	Wireless	Wireless	Wireless

IDU COMBINATION	
Rated Cooling Capacity	BTU/Hr
Total Power Input	Watts
EER	BTU/Watts
Current Drawn	Amps

Features may vary from model to model.

*At Super silent fan speed & at a distance of 1 m ,Hitachi air-conditioners are designed to work in ambient temperatures upto 52°C

Due to continuous research & development , specifications & features may change without prior notice .

BEE star rating scheme dose not cover testing of these models